

PPC-310S ADL_N PPC-312S(W) ADL_N

10.4"/12.1" Fanless Panel PC with Intel® N97 Quad-Core Processor



Features

- Intel® Alder Lake N97 2.0GHz quad-core processor
- 10.4"/12.1" true-flat TFT LCD with resistive touch or projected capacitive touch control
- Fanless design with low power consumption
- Supports 1 x M.2 M Key 2280 (SATA or NVME PCIe x 1), 1 x 2.5" SATA bay for storage
- Supports dual displays (1 x external DP)
- Supports iDoor
- Support PCI or PCIe
- Supports VESA 75
- IP66-rated front panel

Introduction

PPC-300 ADL_N is a high-value, ultra-slim panel PC equipped with TFT LCD, and low-power Intel® N97 quad-core, 2.0GHz, processor to provide highperformance computing in a compact and fanless system. For high durability and functionality, the PPC-300 ADL_N features an IP66-rated front panel, resistive touch or projected capacitive touchscreen, die cast aluminum alloy enclosure, two serial ports, four USB ports, and two GbE LAN ports, making it suitable for diverse industrial applications.

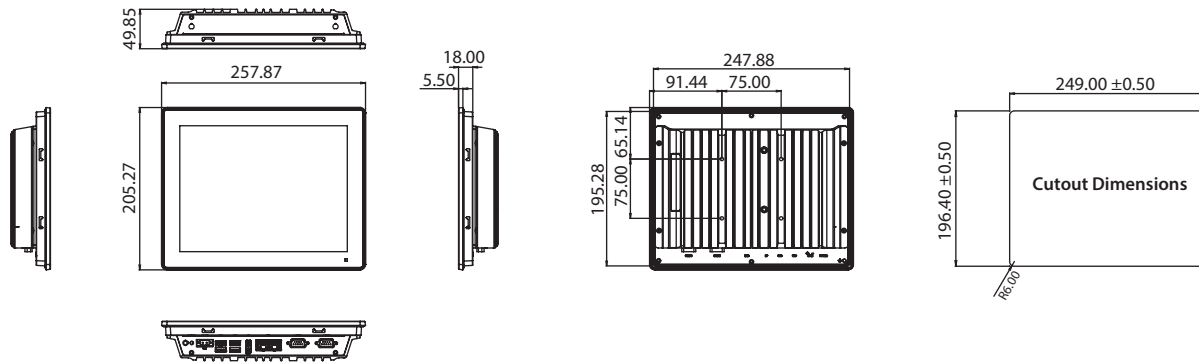
Specifications

Model Name	PPC-310S	PPC-312S	PPC-312SW	
Processor System	CPU	Intel® Alder lake N N97 quad core		
	Frequency	2.0 GHz up to 3.6GHz with Turbo		
	Cache	6MB		
	Memory	1 x SODIMM, DDR5 4800MHz, max. 16GB		
	Storage	1 x 2.5" SATA bay 1 x M.2 M Key 2280 (SATA or NVME PCIe x 1)		
	Network (LAN)	2 x 10/100/1000/2500 Mbps Ethernet (Intel i226 LM)		
	I/O ports	2 x RS-232/422/485 2 x USB3.2 x USB2.0 2 x USB2.0 (optional) 1 x DP		
	Expansion	1 x M.2 B key 2242 or 3042/3052 (PCIe x1, USB 3.0 & SIM slot), support iDoor & 4G, and 5G by request 1 x M.2 E Key 2230 (PCIe & USB 2.0) 1 x iDoor (optional)* 1 x PCI or PCIe x1 (optional)**		
	Watchdog Timer	255 timer levels; setup by software		
Speaker	1 x 2W			
Physical Characteristics	Dimensions	257.9 x 205.3 x 49.9 mm (10.2 x 8.1 x 2.0 in)	295.3 x 233.8 x 49.9 mm (11.6 x 9.2 x 2.0 in)	312.6 x 214.7 x 49.9mm (12.3 x 8.5 x 2.0 in)
	Weight	2.46kg (5.42lb)	2.79 kg(6.15 lb)	2.85 kg (6.28 lb)
OS Support	Windows 10 LTSC, Windows 11, Linux, Andriod (by request)			
Power Consumption	Input Voltage	24V _{DC} ± 30%		
	Power Consumption	36W	40W	38W
LCD Display	Display size	10.4" TFT LCD (LED backlight)	12.1" TFT LCD (LED backlight)	
	Max. Resolution	1024 x 768	1024 x 768	1280 x 800
	Viewing Angle	88 (left), 88 (right), 88 (up), 88 (down)	89 (left), 89 (right), 89 (up), 89 (down)	89 (left), 89 (right), 89 (up), 89 (down)
	Luminance(cd/m2)	500	500	400
	Contrast Ratio	1000	1000	1000
	Backlight Lifetime	50,000 hr (min.)	30,000 hr (min.)	
Touchscreen	Touch Type	5 wire resistive touch or Multi-touch projected capacitive		
	Light Transmission	80%±5% (Res) or >86% (P-cap)		
	Controller	USB interface		
Environment	Operating Temperature	-10 ~ 50 °C (32 ~ 122 °F)		
	Storage Temperature	-20 ~ 60 °C	-40 ~ 60 °C	-20 ~ 70 °C
	Relative Humidity	95% @ 40 °C (Non-Condensing)		
	Shock	Operating 10 G Peak Acceleration (11 ms Duration), Follows IEC 60068-2-27		
	Vibration	Operating Random Vibration Test 5~500Hz; 2Grms @with SSD, Follows IEC 60068-2-64		
	EMC	CE,FCC Class B, BSMI, EN60601-1-2, UKCA		
	Safety	CB,UL,CCC,UKCA		
	Front Panel Protection	IP66 compliant		

Dimensions

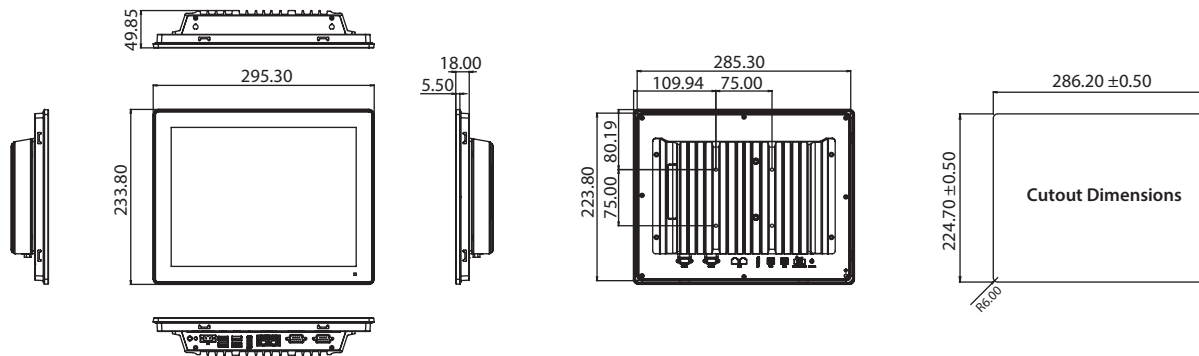
Unit: mm

PPC-310S



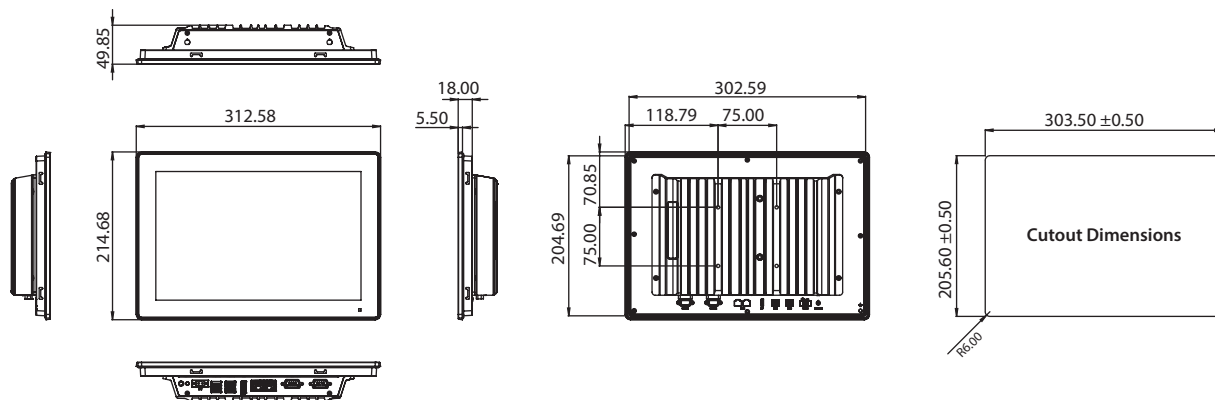
Panel Cutout Dimensions: 249 x 196.4 mm (9.81 x 7.74 in)

PPC-312S



Panel Cutout Dimensions: 286.2 x 224.7 mm (11.27 x 8.85 in)

PPC-312SW

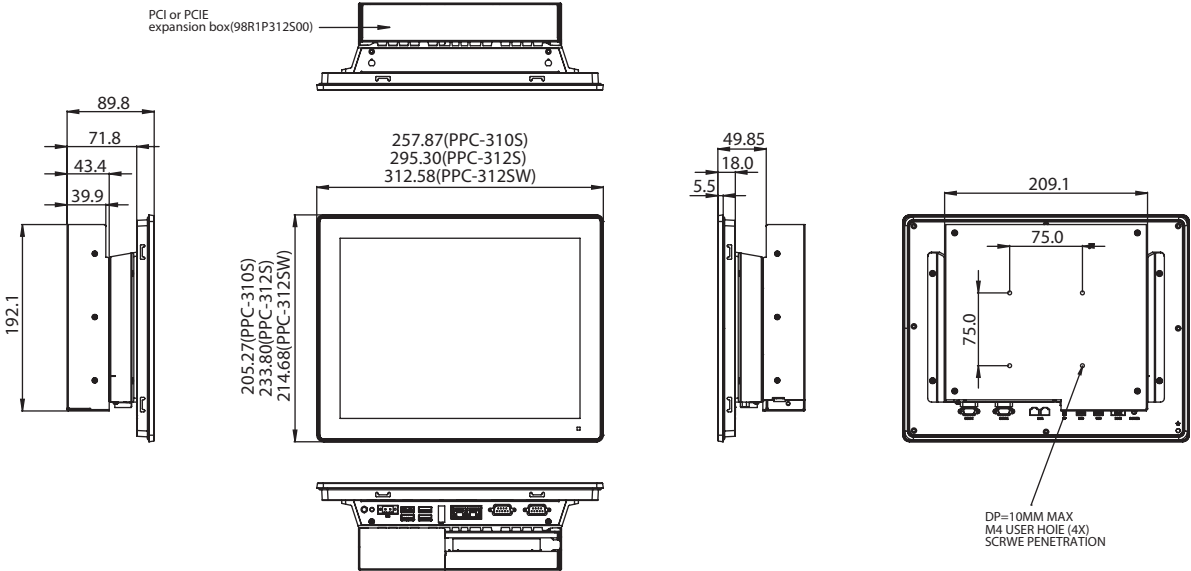


Panel Cutout Dimensions: 303.5 x 205.6 mm (12.39 x 8.09 in)

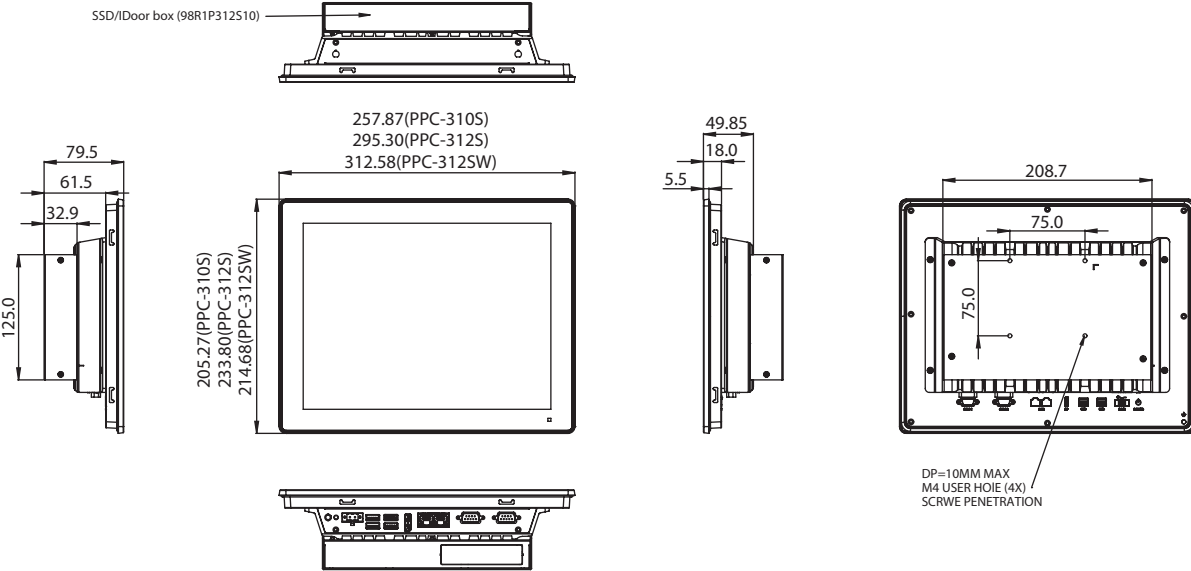
Dimensions

Unit: mm

PPC-310S/312S(W) with PCI or PCIe Expansion Box (98R1P312S00)



PPC-310S/312S(W) with SSD&iDoor Expansion Box (98R1P312S10)



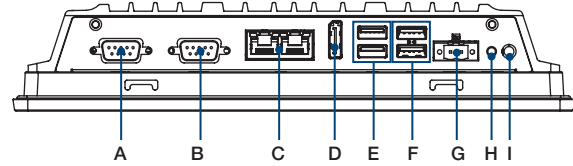
Ordering Information

Part Number	Description
PPC-310S-RN9A	10.4" PPC w/Intel N97, Res.
PPC-310S-PN9A	10.4" PPC w/Intel N97, P-cap
PPC-312S-RN9A	12.1" PPC w/Intel N97, Res.
PPC-312S-PN9A	12.1" PPC w/Intel N97, P-cap.
PPC-312SW-PN9A	12.1" PPC w/Intel N97, P-Cap
96PSA-A90W190T-3	Power adapter 100-240V 90W 19V
1700001524	POWER Cord 3P UL 10A 125V 180cm
170203183C	POWER Code 3P Europe (WS-010+083)183 cm
1700008921	POWER CORD 3P/3P POWER SUPPLY 1.8 M PSE
96CB-POWER-B-1.8MB	Power code 3P CCC(China) 1.8M
PPC-174T-WL-MTE	Wall mount kit for PPC series
PPC-STAND-A1E	Stand for PPC series
PPC-WLAN-D2	M.2, WiFi6 +BT5.2, 2T2R, w/Antenna, Mini PCIe
98R3P300010	PPC-300 RFID Read only 13.56MHz&125k
98R1P300S00	Add-on box for PCI or PCIe expansion (include PCI / PCIe riser card)**
98R1P300S10	Additional ports module (2 x USB 2.0 + 1 x GPIO)*

* iDOOR, additional ports or 2.5" SATA bay can't be installed in the same time since they share the same space

** PCIe riser card supports PCIe x1 single, but the slot is PCIe x4 (PCIe x1 compatible).

I/O View



A. COM1: RS-232/422/485

B. COM2: RS-232/422/485

C. 2 x LAN

D. DP

E. 2 x USB 3.2

F. 2 x USB 2.0

G. DC-In

H. Power Button

I. Pre cut hole for power button cable extend

Support iDoor Modules

Part Number	Description
PCM-34R1TP-AE	1 port Gigabit Ethernet, Intel® I225, 2.5Gb/s, TSN
PCM-34R2GL-AE	2 ports Gigabit Ethernet, Intel® I350
PCM-34D2R4-AE	2 ports Isolated RS-422/485, DB9
PCM-34D2R2-AE	2 ports Isolated RS-232, DB9
PCM-34D4R4-AE	4 ports non-isolated RS-422/485, DB37 cable
PCM-34D4R2-AE	4 ports non-isolated RS-232, DB37 cable
PCM-37D24DI-AE	24 channels isolated digital I/O with counter, DB37
PCM-23C1CF-BE	1 slot Cfast iDoor for CFast